

# Update 2022

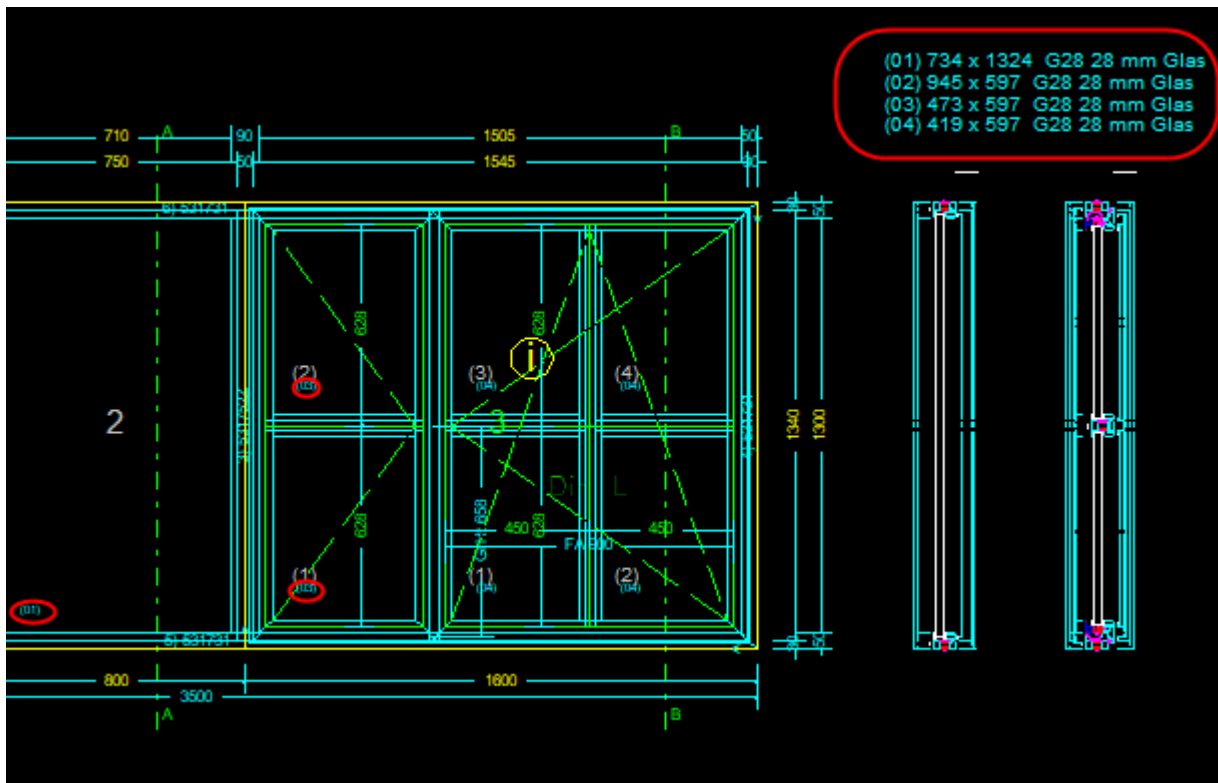
(Software Version 22.1.1, Licence-file A16.x)

## 1. Grafic position

There is a new option for showing a list of glasses

Mouse	Show
<input checked="" type="checkbox"/> Tooltips	<input type="checkbox"/> Arrows
<input checked="" type="checkbox"/> Profile outline	<input type="checkbox"/> Item-No
<input checked="" type="checkbox"/> Connections	<input type="checkbox"/> Shaded
<input checked="" type="checkbox"/> Frame dimensions	<input checked="" type="checkbox"/> Outer lines
<input checked="" type="checkbox"/> Field outline	<input checked="" type="checkbox"/> Inner lines
<input checked="" type="checkbox"/> Slide	<input checked="" type="checkbox"/> Frame dimensioning
<input checked="" type="checkbox"/> Slide with details	<input checked="" type="checkbox"/> Casement dimensioning
<input checked="" type="checkbox"/> Field-Info	<input checked="" type="checkbox"/> List of glass
<input type="checkbox"/> Field-Info with details	<input checked="" type="checkbox"/> Update sections automatically
<input checked="" type="checkbox"/> Show/Modify leaf-profiles	<input checked="" type="checkbox"/> Machining
	<input checked="" type="checkbox"/> Text window separate

This report is similar to detail-grafics..  
The references (01), (02), ... are displayed in the elevation.



## 2. Calculation, List of parts

It is possible to define a percentage for additional length or quantity of gaskets

This can be done in the field "Contin.Item 2" of the item-database,


Syntax: "%+Value"

Item-Number	905317_7	Designation	
Matchcode	PSEUDO	Verglasungsdicht. Pseudo	
Item-Group	79		
Unit (S=piece/M=lm/Q=sm)	M	Operations	Contin.Item 905317
Optimising parameter		1)	%+5

The quantity of the glazing-gasket 905317 is increased by 5%.

	18 ACCESSORIES	Qty
905314	GASKET GLASS ext. 5mm	12,22 lm
905317	GASKET GLASS int. 6-8mm	12,83 lm
906579	STEEL STUD 200 MAG.	60 pce

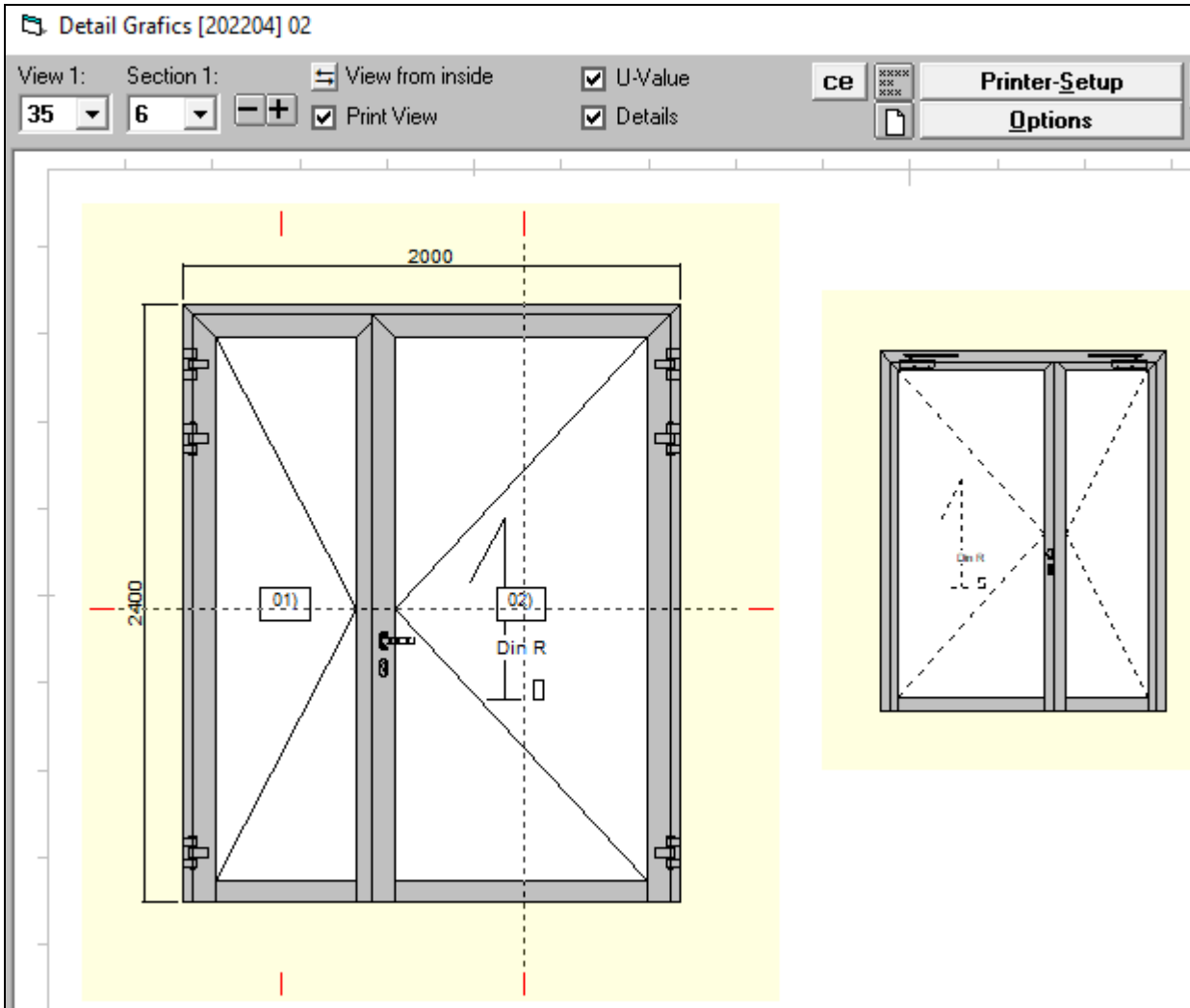
### 3. Detail-grafics

Pressing the button  showed the elevation from the other side in a new window. The picture was available in the clipboard for further use in Excel, Word, ... After closing this window the graphics was not available any more.

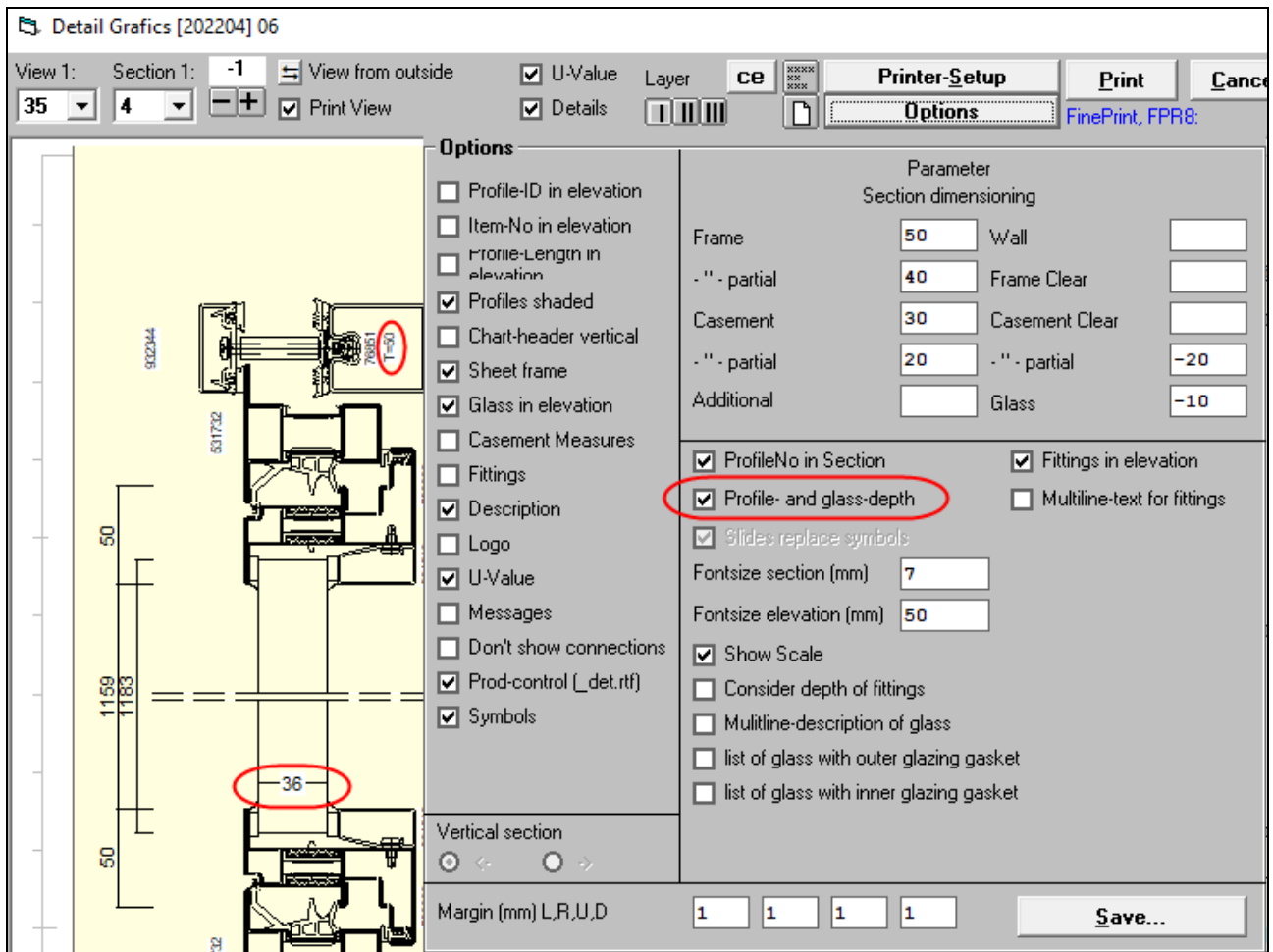
Now the elevation is displayed as a separate element.

You can move and scale it.

<Del>-Key or pressing  again will close the window.



There is a new option for displaying profile-depth and glass-depth.



The glass-depth appears only in the vertical section.

The depth of profiles shows up for all profiles with code "+T" in the field "Type".

Profile No	76851	Width	Central	Add-Ext	Add-Int
		45.0	0.02	0.02	
		Slide H x W:			
		Depth		50.0	
Type:	<u>+</u> T		ACAD:	76851	
Group glazing bead:	V	-Side (I/A)	4	Surf.type( /0/1/2/1/	